

CXA-P1212E-WJL

Features

- 2 output
 - Applicable panel size*: 10 to 12 inches
 - With brightness control function (Pulse Wide Modulation mode).
 - With shut down function.
 - With a sensing function for running out of lamp (alarm output).
 - In the high-voltage generator (a terminal and a pattern), an anti-dust measure by silicone application is taken.
- (Notice) Applicable panel size becomes a standard.

Applications



Dc-AC Inverter

Connector type/2 output

CXA-P1212E-WJL Specifications (Please refer to each specification before use)

Electrical Characteristics

Item	Unit	Symbol	Specification			Condition							Remarks
			min	typ	max	Vin(V)	Vrmt(V)	Vbr(V)	Rbr(kΩ)	Ta(°C)	RL(kΩ)	CL(pF)(*3)	
Output Current	mA	Iout 1.2 (Maximum dimmer)	5.5	6.0	6.5	12±0.6	5	0	-	23±5	90	5	Voltage dimmer (*1)
			5.5	6.0	6.5	12±0.6	5	-	0	23±5	90	5	Volume dimmer (*1)
			5.3	6.0	6.7	12±1.2	5	0	-	-30 to +80	90	5	Voltage dimmer (*1)
			5.3	6.0	6.7	12±1.2	5	-	0	-30 to +80	90	5	Volume dimmer (*1)
		Iout 1.2 (Minimum dimmer)	1.2	2.0	2.8	12±0.6	5	2.5	-	23±5	90	5	Voltage dimmer (*1)
			1.2	2.0	2.8	12±0.6	5	-	50	23±5	90	5	Volume dimmer (*1)
			1.1	2.0	2.9	12±1.2	5	2.5	-	-30 to +80	90	5	Voltage dimmer (*1)
			1.1	2.0	2.9	12±1.2	5	-	50	-30 to +80	90	5	Volume dimmer (*1)
Input Current	A	Iin1	-	0.8	1.0	12±0.6	5	0	-30 to +80	90	5	Remote ON	
	mA	Iin2	-	-	1	12±0.6	-	0	-30 to +80	90	5	Remote OFF	
Oscillatory Frequency	kHz	Freq	35	40	45	12±0.6	5	0	-30 to +80	90	5		
Open Circuit Voltage	Vrms	Vopen	1500	1700	-	10.8min.	5	0	-30 to +80	∞		Open load	
Alarm Signal	V	Vst	4.5	5.0	5.5	12±1.2	5	0	-30 to +80	∞		In case of lamp anomaly (*2)	
			-	0	0.5	12±1.2	5	0	-30 to +80	90	5	On a normal operation (*2)	

(*1) Please refer to the connection diagram for details of a dimming method.

(*2) Please refer to the connection diagram for details of alarm output.

(*3) As equivalent circuit of panel load, connect resistance load (RL) and distributed capacity (CL), and have provided by an electrical characteristic.

Other Specifications

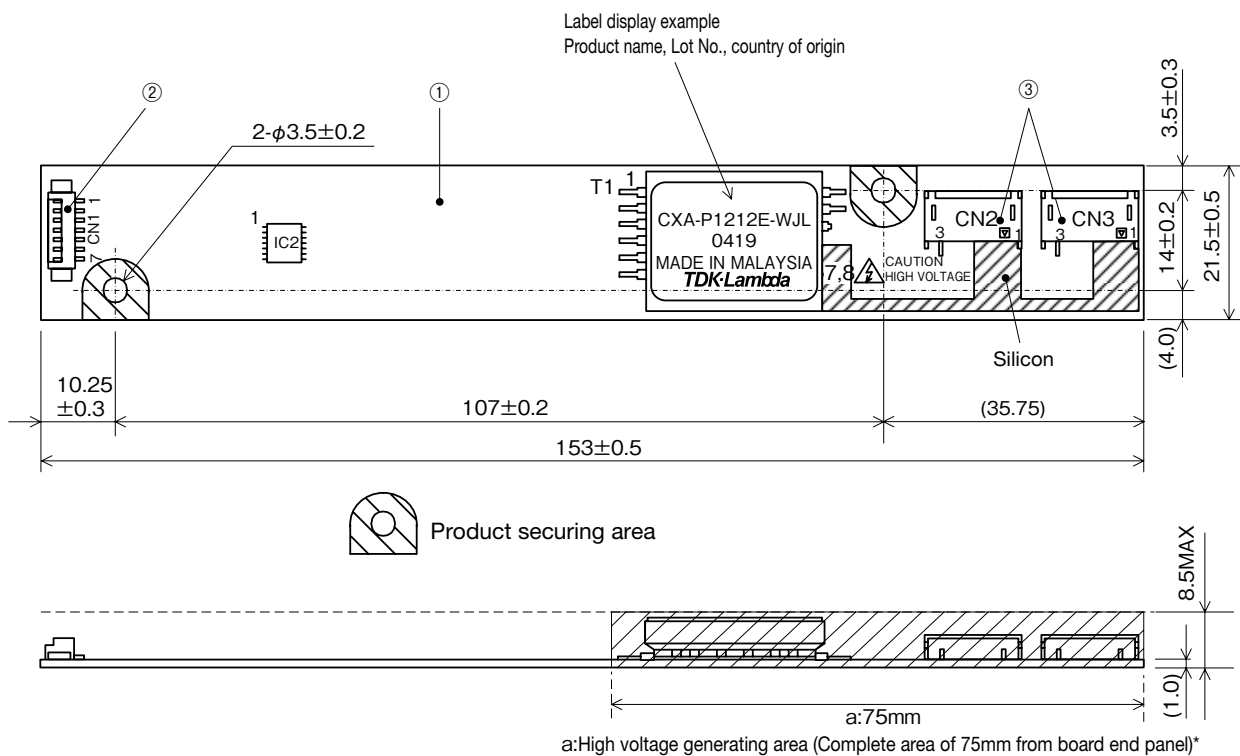
Dimming Function		Yes
Operating Temperature	°C	-30 to +80
Storage Temperature	°C	-30 to +85
Operating Humidity Ratio	RH%	95max.
Safety Standard		-
Weight	g	21.2typ.
Dimensions (WxDxH)	mm	153x21.5x8.5 (*4)
Fused Input		Yes
Remote ON / OFF		Yes
Alarm Signal Function		Yes
Shutdown Function		Yes
Silicone Coating on High Voltage Area		Yes

(*4) These dimensions are indicated the maximum only H. Others are typical values.

Conformity to RoHs Directive

This means that, in conformity with EU Directive 2002/95/EC, lead, cadmium, mercury, hexavalent chromium, and specific bromine-based flame retardants, PBB and PBDE, have not been used, except for exempted applications.

Outline Drawing



*From high-voltage generator, please secure space distance more than 3mm in top and bottom right and left.

Unit: mm

Connector

No.	Component name	Type name	Qty	Remarks	Recommended suitable connector
①	Printed circuit board PCB	Composite (CEM-3)	1	UL94V-0 t=1.0	-
②	Input connector CN1	53261-0771	1	Molex	51021-0700
③	Output connector CN2,CN3	SM02(8.0)B-BHS-1-TB (LF)(SN)	1	J.S.T Mfg., Co., Ltd	BHR-03VS-1

Terminal Number & Function

Input side CN1

Terminal No.	Symbol	Rating	Remarks
CN1-1	Vin	12 \pm 1.2V	Power source input
CN1-2			
CN1-3	GND	0V	Ground
CN1-4			
CN1-5	Vrmt	0V/2.5V to Vin	Remote terminal 0 to 0.4V : OFF 2.5 to Vin : ON
CN1-6	Vst(output)	0V/5V	Alarm output Lamp open : 5V
CN1-7	Vbr1/Rbr1	0 to 2.5V/0 to 50k Ω	Dimmer terminal

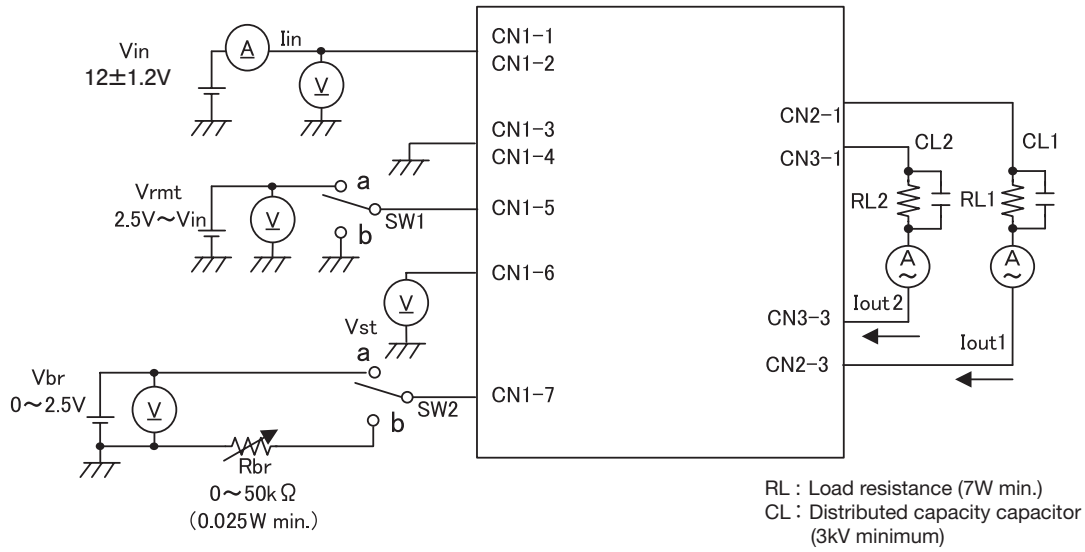
Output side CN2

Terminal No.	Symbol	Rating	Remarks
CN2-1	V _{HIGH1}	600Vrms	Output 1
CN2-2	N.C.	-	N.C.
CN2-3	V _{LOW1}	(2V)	Output 1 return

Output side CN3

Terminal No.	Symbol	Rating	Remarks
CN3-1	V _{HIGH2}	600Vrms	Output 2
CN3-2	N.C.	-	N.C.
CN3-3	V _{LOW2}	(2V)	Output 2 return

Connections



Operate as follows by switching a SW1.

SW1	Unit operates
a	Operates
b	Does not operate
Open	Does not operate

Operate as follows by switching a SW2.

SW2	Unit operates
a	Voltage dimmer Vbr = 0 to 2.5V (0V: Maximum brightness)
b	Volume dimmer VR = 0 to 50kΩ (0Ω: Maximum brightness)

Protection Circuit Operation

Load condition	Alarm output (CN1-6)*1	Shutdown function*2
When normal	0.5V max.	Does not shut down
When 1 load (lamp) are NG	5±0.5V	Does not shut down
When 2 load (lamp) are NG	5±0.5V	Shuts down

*1. When more than one of RL in the connection diagram was opened, output alarm signal of 5V.
 *2. When all lamps were opened, this inverter has included protective function to stop operation in about 3 seconds.